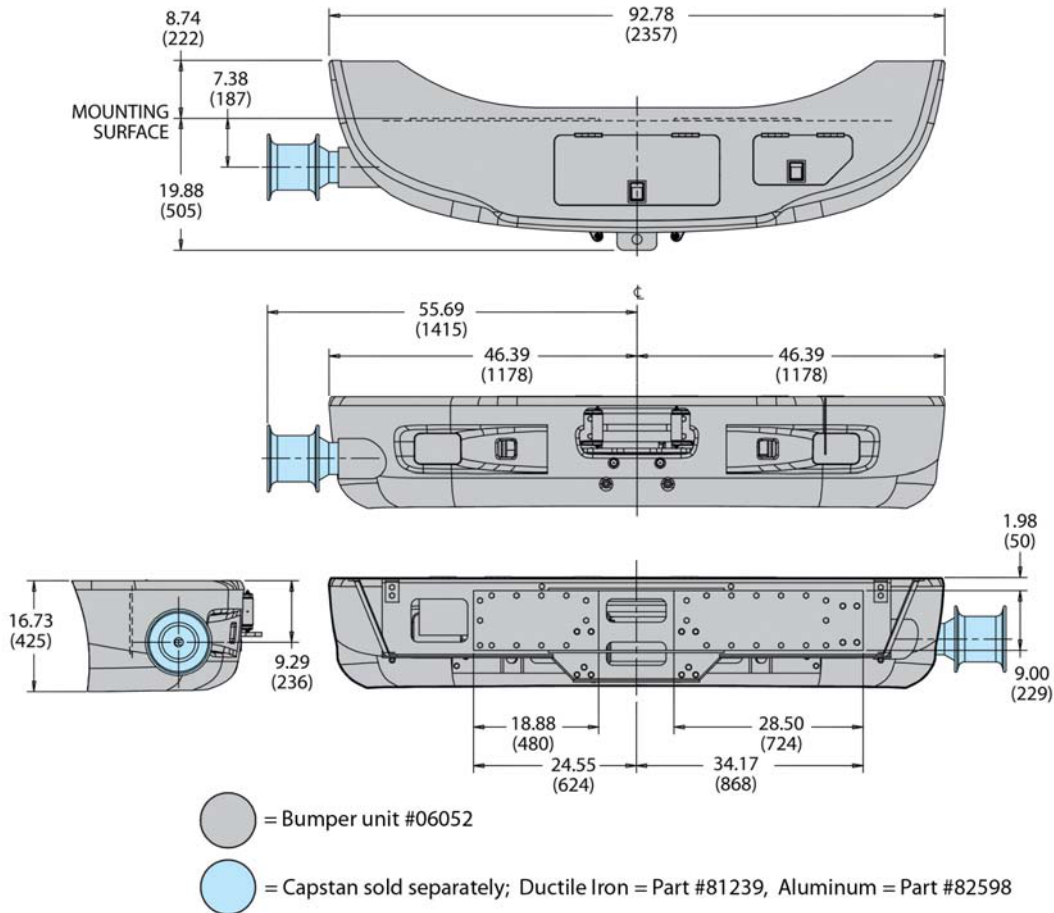


PD18D

20,000 lb. Planetary Recovery Winch

DIMENSIONAL



FEATURES

Standard Features:

- Designed for compliance with SAE J706
- Jaw clutch with negative draft for positive clutch engagement
- Enclosed oil bath “wet” disc brake for outstanding load control
- Low-speed high-torque hydraulic motor
- Extension shaft speed is more than 4 times drum speed
- More than 100-pounds lighter than our standard bumper
- Corrosion resistant composite bumper shell
- Designed to complement new aerodynamic body styles

PERFORMANCE

PD18D-11 F

11.9 cu in. Motor (195cc)
 2450 PSI (169 bar) @ 30 gpm (113 lpm)
 Wire Rope Diameter: 5/8"

	LINE PULL		LINE SPEED		ROPE CAPACITY*	
	LB	KG	FPM	MPM	FT	M
1	20,000	9,100	42	13	30	9
2	17,100	7,800	49	15	65	20
3	15,000	6,800	56	17	105	32
4	13,300	6,000	63	19	150	46
5	11,900	5,400	70	21	201	61

*Rope capacity based on 90% of theoretical

EXTENSION SHAFT RATING

7" CAPSTAN		20" C.R. REEL	
LINE PULL	LINE SPEED	LINE PULL	LINE SPEED
lbs	FPM	lbs	FPM
3,000	197	1,000	560

DRUM CAPACITY

-11 DRUM CAPACITY

(6.75" B x 13.00" F x 10.94" W)

	PD/d	1	2	3	4	5	6
1/2"	14.5:1	37	79	126	178	235	298
9/16"	13.0:1	33	71	114	162	216	
5/8"	11.8:1	30	65	105	150	201	

* Rope capacity based on 90% of theoretical